

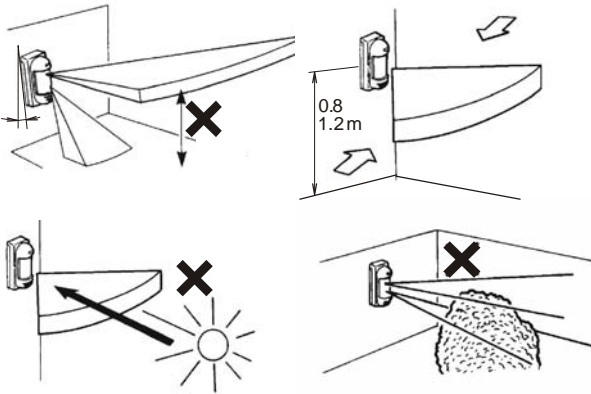
The JA-89P wireless outdoor PIR detector

The JA-89P is an outdoor intruder detector designed to detect human body movement in a protected area. It supplements a double-zone PIR sensor produced by Optex with a Jablotron transmitter enabling the sensor to be used within JA-80 OASiS systems. Both the PIR sensor and the transmitter are powered by a lithium battery. Sharing the power source allows low voltage reports to be transmitted to the control panel in the standard way. The detector is equipped with two tamper sensors (front and back) capable of signalling that the detector's cover has been opened or that the detector has been torn off its position. Self testing is performed automatically on a regular basis including reporting detector status to the control panel. These properties make the JA-89P a standard component of Jablotron's OASiS system.

Installation

Choose a proper place for detector installation according to the following:

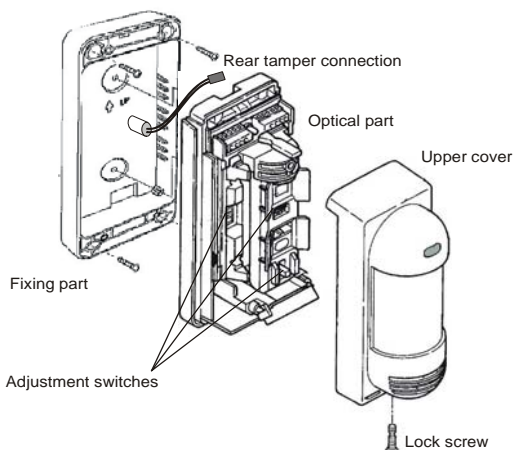
1. Install the detector perpendicular to the ground to make the upper detection area parallel to the ground.
2. The installation height is 0.8 – 1.2 m.
3. Mount the detector so that the majority of traffic flow is across the detection pattern.
4. Avoid positions where moving or waving objects like cars, plants or trees might appear in the detection area. Avoid positions where the detector can be affected by strong light sources, e.g. reflected sunlight.



Installation, step by step:

1. Unscrew the lock screw located on the bottom side of the upper cover and remove the cover.
2. Unscrew the screws fastening the optical part of the detector and remove this part by tipping it up.
3. Disconnect the rear tamper sensor cable.
4. You can fix the detector to an even plate using either two non-skimmed holes or four skimmed holes located in the corners of the rear cover.
5. Use the drilling template supplied in the package for marking all the spots relevant to detector fixing as well as to fixing the rear tamper magnet.
6. Alternatively, you can install the detector on a pole (Ø 43 – 48 mm) using straps supplied with the package. However, this way of installation disables the rear tamper switches (tear-off signalling) – you have to short out the transmitter tamper inputs using a jumper.
7. After the bottom plastic cover has been fixed, insert the rear TAMPER connector into the terminal marked TMP IN.

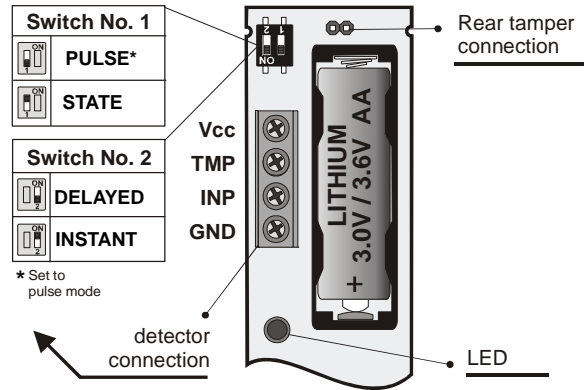
Caution: Never touch the detection surface of the PIR sensor.



Powering up and enrollment

The transmitter of wireless communication signals is located below the detector's optical part. Study the installation manual of the receiver (control

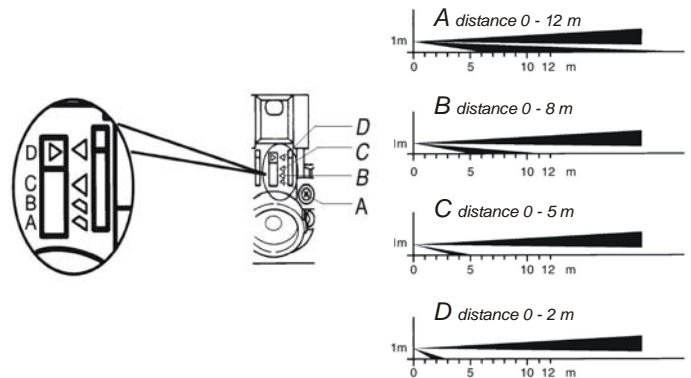
panel) first to learn how to enter enrollment mode. Only use a lithium battery of type AA 3.0 V / 3.6 V. The correct battery position is marked on the battery holder. After a battery is inserted the transmitter sends an enrollment signal to the receiver. The control panel – if used as a receiver – must be in enrollment mode. You can use the detector's switch No. 2 to configure control panel reactions (ON = Instant, OFF = Delayed). Switch No. 1 should be OFF.



The JA-89P detector transmitter

Optical part adjustment

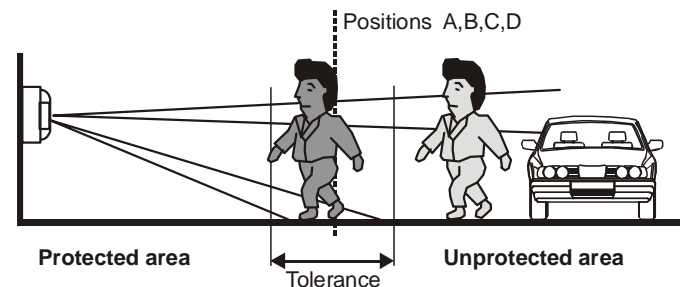
The detector's optical part contains two PIR sensors each having its own detection plane. The detection area angle of the lower sensor can be configured over a wide range. The sensors operate with AND logic: an alarm signal is generated only if both sensors are triggered (if both detection planes are crossed). You can adjust the detection plane slope of the lower sensor by a shifting lever according to the picture below.



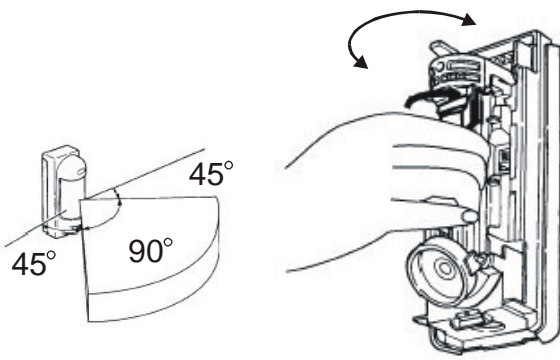
The following table provides a summary of detection length characteristics:

Position	The lower sensor max. detection length	
	Standard	See note below:
A	10 m	8.0 to 12.0 m
B	8 m	6.0 to 10.0 m
C	5 m	4.0 to 5.5 m
D	2 m	1.5 to 2.5m

Note: The maximum detection length of the lower detection plane may vary as above due to environmental thermal conditions. This must be taken into consideration during detection range adjustment.



The detection area angle is 90°. The direction can be adjusted in 15° steps by rotating the detector's plastic part. The detector lens covers the whole angle of 180° - therefore it does not require any adjustment.



You can restrict the detection angle by adhesive masking strips supplied with the package. This way you can eliminate problematic parts of the detection area. The strips are to be stuck on the relevant lens segment from the inner side.

The PIR detection sensitivity can be configured by a 3-pole switch located under the upper sensor. The letters correspond to sensitivity levels as follows:

- L** low – applicable to bad conditions
- M** middle
- H** high

Other parameters can be configured using a DIP switch:

LED indicator OFF		LED indicator ON
120 s		5 s battery saving timer
4x		2x pulse count

The LED indicator is to be used for PIR detector testing. For normal detector operation the indicator should be turned off in order to save the battery.

The JA-89P is capable of automatically switching to battery-save mode. Triggering a PIR sensor is signalled to the control panel after which the detector switches to sleep mode for a configurable time. During this time the detector ignores any further movement.

A filter for detector signalling can be established by setting a trigger counter. Either 2 or 4 triggering events (which have to be detected by both PIR sensors due to the AND logic) can be configured to cause signals to be sent to the control panel.

Testing operation

Turn the LED indicator on, set the battery-save timer to 5 seconds and close the detector. Every 5 seconds any movement in the detection area will be indicated by the LED indicator and the alarm information will be sent to the control panel. You should test both the sensitivity to movements in the detection area as well as the detector's insensitivity to any movement outside the area of protection. Take into consideration that the detection range may vary according to local conditions.

After finishing the test, it is recommended to turn off the LED indicator and set the battery-save mode duration to 120s.

Operation

The detector uses radio signalling for all types of detected events: movement detection, cover opening, tearing the detector off its position, and communication checking. The communication checking is automatically performed at 9 minute intervals for the system to test that all its devices are present and ready for operation.

Battery replacement

The detector monitors its battery voltage and if too low, a report is sent to the control panel to inform the installer or user. The detector continues to function. Battery replacement should not be delayed by more than one week.

Before battery replacement, you need to ensure that the receiver (control panel) is put into a state which permits opening the detector cover. Only use a lithium battery of type AA 3.0 V / 3.6 V. After closing the cover, the detector starts to operate in its normal mode.

Note:

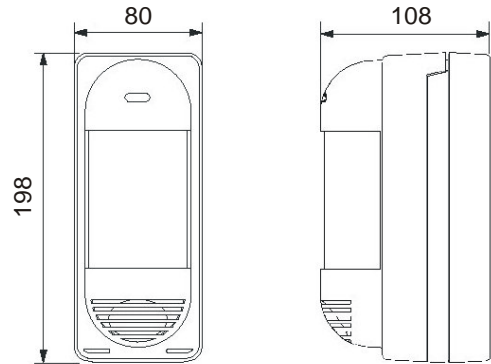
The detector's LED flashes if you accidentally insert a low battery.

The detector will not work after an expired battery has been inserted.

Trouble-shooting

Problem	Probable cause	Remedy
The detector makes false intrusion alarms.	Lower detection area is unnecessarily long.	Set the detection area properly.
	The detector is exposed to direct/reflected light (sun light, car lights etc.).	Remove the reflector, mask the area exposed to the reflection of light or change the detector position.
	There is a moving object in the area (laundry on the clothes-line, plants etc.)	Remove the moving object or change the detector position.

Occasionally no detection.	The detection area is too close to the detector.	Set the detection area properly.
	Sensitivity is set to low (L).	Change sensitivity to medium (M) or high (H).
Detector ignores any movements.	The detector is in battery-save mode.	While testing operation, set the battery-save timer to 5 seconds.
	Low battery.	Replace the battery.
	LED does not light.	Turn the LED switch ON.
	LED indicator lights but there is no reaction in the control panel.	The control panel is out of range, check the battery, try to reposition detector or control panel.



Dimensions

Technical specifications

Voltage:	Lithium battery type LS(T)14500 (3,6V AA) or CR14505SL (3,0V AA)
Typical battery lifetime	approx. 3 years (120 sec sleep mode)
Communication band	868 MHz
Communication range	approx. 300 m (open area)

Specification of the Optex VX 402R detector

Coverage	10 m / 90°; 14 segments
Installation height	0.8 – 1.2 m
Detected speeds	0.3 – 1.5 ms ⁻¹
Battery saving timer	either 5 or 120 seconds
LED indicator	only in test mode

Operational environment class	IV, according to EN 50131-1
Security grade	2, according to EN 50131-1
Operational temperature range	-20°C to +50°C
Enclosure	IP54
Maximum relative humidity	95%
Dimensions	198 x 80 x 108 mm

Can be operated according to	ERC REC 70-03
Security grade	2, according to EN 50131-1, CLCITS 50131-2-2, EN 50131-5-3



Jablotron Ltd. hereby declares that the JA-89P is in compliance with the essential requirements and other relevant provisions of Directive 1999/5/ES. The original of the conformity assessment can be found on the web site www.jablotron.com, Technical Support section.



Note: Dispose of batteries safely depending on battery type and local regulations. Although this product does not contain any harmful materials we suggest you return the product to the dealer or directly to the manufacturer after use.



Pod Skalkou 33
466 01 Jablonec nad Nisou

Tel: 483 559 911
fax: 483 559 993
Internet: www.jablotron.com