

The RC-87 wireless wrist button

The RC-87 is a component of Jablotron's Oasis 80 alarm system. It allows users to trigger panic alarms or to control appliances remotely. It is especially designed for personal calls for help. The battery-powered wireless button communicates via OASIS radio protocol.

The button can be worn on your wrist like a watch or it can hang around your neck (an appropriate strap is supplied in the package). **Caution: When hanging around the neck, the strap must be equipped with a mechanical release which disconnects the strap whenever the loading force exceeds 40N.**

Enrolling to an Oasis control panel

The button can be used with an Oasis control panel for triggering panic alarms. Take the following steps to enroll the button:

1. Enter enrollment mode on the control panel by keying in "1" in Service mode (the desired device address can be chosen by the arrow keys).
2. Hold the button until you see the button's LED flash once.
3. The button will enroll to the chosen position.
4. Exit enrollment mode by pressing "#".

The control panel's natural reaction to the button is a Panic alarm. A different reaction can be programmed if desired.

The wrist button can be enrolled by inserting the battery (step 2).

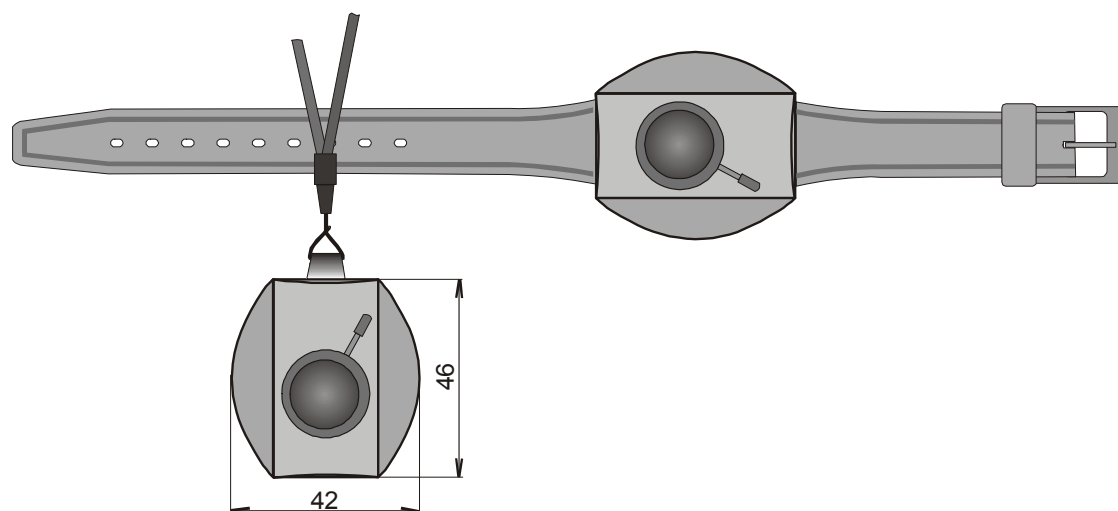
Functionality

By factory default, the button **reacts to pressing with beeps and flashes**. This way it is signalled that the time is getting close for alarm triggering. **If you re-press the button within 5 seconds, the pre-alarm condition will be cancelled.** If no cancellation occurs, an alarm signal will be sent after 5 seconds. This feature allows the user to cancel accidental button pressing.

The button can be reconfigured to another function as follows:

1. Open the button unit (release 4 screws from below) and pull out the electronics.
2. Disconnect the battery from the holder (it can be pulled out using a thin tool). Wait for 15 seconds.
3. Press and hold the button with one hand and insert the battery with your other hand. Keep the button pressed until beeps are heard (after 2 seconds approximately). The number of beeps (1, 2 or 3) indicates the mode which has been set, see below.

1 beep	The button will beep and flash 5 seconds after being pressed (this mode allows the cancelling of accidental pressing).
2 beeps	Respond to a single press instantly by triggering an alarm and sounding a single beep .
3 beeps	Respond to a single press instantly and silently by triggering an alarm .



Choose the desired function by repeating steps 2 and 3, then reassemble the button. This configuration will not be affected by normal battery replacement (reconfiguration is only possible in the above way).

Testing the panic button

The signals received by the control panel from the RC-87 can be checked and measured. See the control panel manual for details.

Controlling electrical appliances

The RC-87 can also be used with other Jablotron products which communicate via Oasis radio protocol, e.g. the JA-80L wireless siren, or relay receiving modules series UC-8x and AC-8x (see the manuals of these particular products for details).

The RC-87 transmits the same kind of signal as transmitted when a pair of buttons is pressed simultaneously on an RC-80 keyfob.

The RC-87 can be enrolled to several receivers at once, e.g. alarm triggering can also cause lights to be turned on.

Battery replacement

The button unit monitors its battery voltage and if too low, a report is sent to the control panel to inform the installer or user. A critical voltage level is also indicated by an LED flashing fast 3 times every 5 minutes. The battery should be replaced as soon as possible. As with configuration, the button can be opened by unscrewing the 4 screws from the bottom part. We recommend battery replacement be done by a service technician.

Expired batteries should not be thrown into the garbage, but disposed of according to local regulations.

Technical specifications

Voltage	<i>lithium battery type</i> CR 2032 (3.0 V)
Typical battery lifetime	<i>approx.</i> 3 years (for 1 daily activation maximum)
Communication band	868 MHz, Oasis protocol
Communication range	<i>approx.</i> 50 m (open area)
Environment	<i>external protected</i>
Housing	<i>IP-44</i>
Operational temperature	-25 to +50 °C
Can be operated according to	VO-R/10/05.2006-22
Complies with	ETSI EN 300220, EN 50130-4, EN 55022, EN 60950-1, EN 50134-2



Jablotron Ltd. hereby declares that the RC-87 is in compliance with the essential requirements and other relevant provisions of Directive 1999/5/EC. The original of the conformity assessment can be found at www.jablotron.com, Technical Support section

Note: Although this product does not contain any harmful materials we suggest you return the product to the dealer or directly to the producer after use. See www.jablotron.com for details.



Pod Skalkou 33
466 01 Jablonec nad Nisou
Czech Republic
Tel.: +420 483 559 999
fax: +420 483 559 993
Internet: www.jablotron.cz